

## HALOGEN FLUSH FITTING WALL LIGHT 57200 – 206

### LED FLUSH FITTING WALL LIGHT 57210 – 216

#### Risk of electric shock!

Be sure to have a professional electrician complete installation. There is no warranty coverage for any light installations which do not comply with European safety directives.

#### Fire hazard!

Ensure that minimum clearance between the light and the nearest object which the light shines on is maintained (see sticker).



#### Caution!

Only suitable for indoor use

Mounting on normally flammable surfaces, e.g. on wood and particle board materials with a thickness of more than 2 mm.



#### Caution!

Use shortest way to run wires to the terminals.

Protection rating IP 20 – prevents access to live parts with fingers.

Protected against ingress of solid foreign matter with a diameter of more than 12.5 mm.

Not splash-proof.

Protection class 3 – Low voltage 12 V.

CE compliant with the applicable European directives.



#### For halogen flush fitting wall light only:

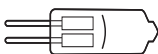
#### Caution!

Use only low-pressure halogen lamps which comply with IEC 598 (EN 60598).

The lamps must be approved for use as exposed lamps.



Use only bipin base halogen lamps of the specified fixture type (see sticker).



## INSTALLATION

### PREPARATION

#### Risk of electric shock!

Switch off voltage prior to installation. Ensure that voltage cannot be accidentally switched on again.

1. Prepare hole at installation location (see Figure on packaging for diameter and distances).
2. If necessary, insert a flush-mounted housing or flush-mounted frame (not enclosed in scope of delivery) if not yet available.



### INSTALL LED FLUSH FITTING WALL LIGHT

1. Insert trim into flush fitting wall light (Fig. 1).

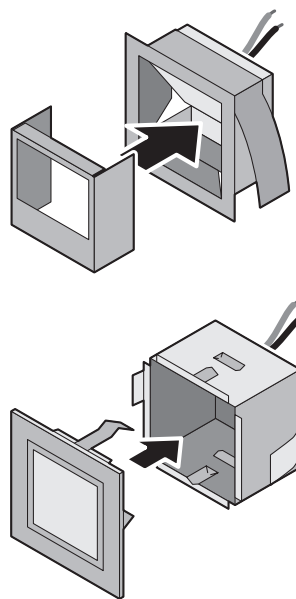


Fig. 1

#### Note!

When connecting several lights to an LED converter, ensure series connection. Our wiring harnesses (not enclosed in scope of delivery) may be used to simplify installation.

2. Install LED converter 350 mA (not enclosed in scope of delivery) and connect to power supply.
3. Press springs together and insert flush fitting wall light directly into the wall or poss. a flush-mounted housing or flush-mounted frame (Fig. 2).

### INSTALL HALOGEN FLUSH FITTING WALL LIGHT

1. Insert trim into flush fitting wall light (Fig. 1).
2. Install transformer (not enclosed in scope of delivery) according to these instructions and connect to power supply.
3. Connect flush fitting wall light to transformer.
4. Press springs together and insert flush fitting wall light into a flush-mounted housing or flush-mounted frame if necessary (Fig. 2).

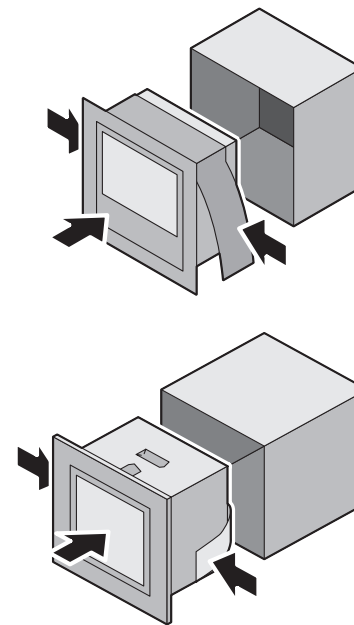


Fig. 2

### REPLACING BIPIN BASE HALOGEN LAMPS

#### Risk of electric shock!

Always disconnect voltage before replacing the lamp.

**Caution!**

Do not touch the halogen lamp with your bare fingers. Fatty residues will considerably shorten the service life of the lamp. Use a lint-free cloth.

1. Pull off trim.
2. Remove lamp from fixture.
3. Insert new lamp (Fig. 3).
4. Insert trim.

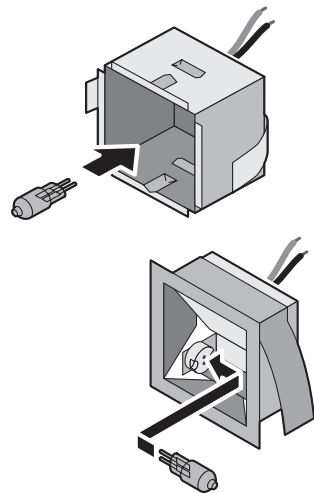


Fig. 3

**DISPOSAL**

Dispose of electrical and electronic equipment in an environmentally friendly manner. Please contact your local authority for further information.

**RUTEC LICHT GMBH & CO. KG**

Carl-Zeiss-Str. 15  
28857 Syke, Germany  
Phone: +49 (0) 42 42 95 65 0  
Fax: +49 (0) 42 42 95 65 25  
Email: [info@rutec.de](mailto:info@rutec.de)  
<http://www.rutec.de>

