

OLORIN EXTERIOR WALL LIGHT

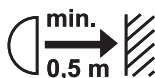
⚠ Risk of electric shock!

Be sure to have a professional electrician complete installation. There is no warranty coverage for any wall light installations which do not comply with European safety directives.

⚠ Fire hazard!

Do not cover the wall light.

Ensure that the minimum clearance between the wall light and the nearest object which the light is shining on is maintained.



⚠ Caution!

Can be used with all connectors except HO5RN-F 300/500V 3G 1.00 mm² cable.

Technical data

Nominal voltage	230 VAC, 50 Hz
Lamp type	1 x CFL square 38W, GR10q base
Protection rating	Cover is protected against dust and splashing water.
IP55	



Replace protective glass if broken.

Safety class I

Light is equipped with an earth wire.
Earth symbol for connection to earth.



The light is suitable for mounting on normally flammable surfaces such as wood and chipboard materials which are more than 2 mm thick.



Compliant with the applicable European CE directives.

Assembly

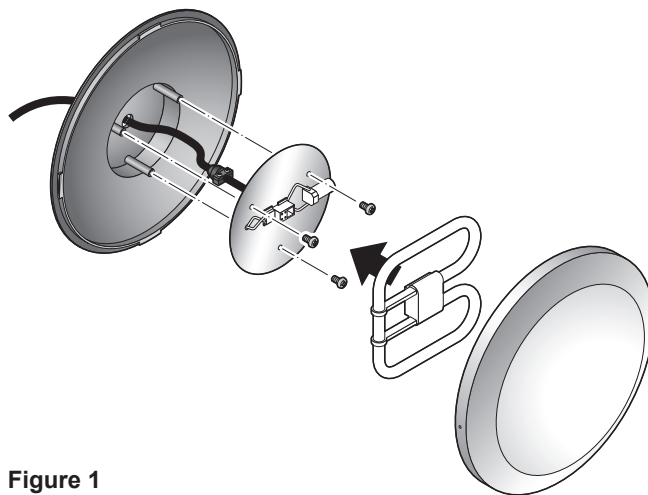


Figure 1

1. Remove cover from housing (Figure 4).
2. Feed connecting cable through opening in housing (Figure 1).
3. Press rubber seal into groove in opening. Make sure the rubber seal completely seals the opening to prevent ingress of moisture into the light.
4. Fasten back plate with supplied screws.

Installation

⚠ Risk of electric shock!

Switch off voltage prior to installation. Ensure that voltage cannot be accidentally switched on again.

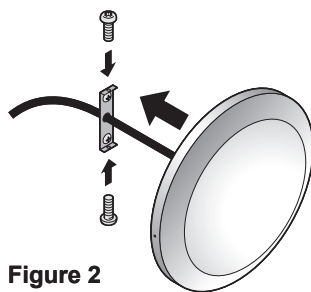


Figure 2

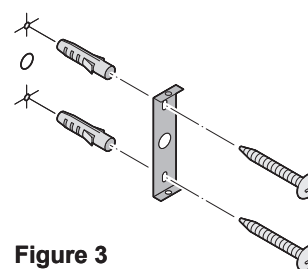


Figure 3

1. Unscrew wall bracket from housing (Figure 2).
2. Fasten wall bracket with suitable screws and dowels (not included) (Figure 3).
3. Connect cable to mains supply.
4. Fasten housing to wall bracket (Figure 2).
5. Insert lamp into socket.
6. Attach cover and turn clockwise to tighten (Figure 4).
7. Secure cover with grub screw.

Replacing the lamp

⚠ Risk of electric shock!

Always disconnect voltage before replacing the lamp.

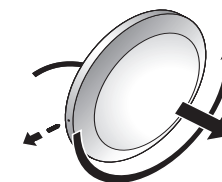


Figure 4

1. Unscrew grub screw.
2. Turn cover anti-clockwise and remove.
3. Pull lamp out of socket.
4. Insert new lamp (see 'Technical data').
5. Attach cover and turn clockwise to tighten (Figure 4).
6. Secure cover with grub screw.

Disposal



Dispose of electrical and electronic equipment in an environmentally friendly manner. Please contact your local council for further information.

rutec Licht GmbH & Co. KG

Carl-Zeiss-Str. 15
28857 Syke, Germany
Phone: +49 (0) 42 42 95 65-0
Fax: +49 (0) 42 42 95 65-25
Email: info@rutec.de
<http://www.rutec.de>

