

Kementari L Uplight

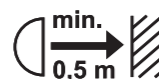
Risk of electric shock!

Be sure to have a qualified electrician complete installation. There is no warranty coverage for any uplights installed without observance of the European safety directives.

Fire hazard!

Do not touch the light, cover it with thermal insulation materials or stand on it for extended periods of time. Surface temperature: >90°C.

Ensure that minimum clearance between the light and the nearest object which the light is shining on is maintained (see drawing).



Ensure that minimum clearance is also maintained on each side (see drawing).

Risk of injury!

Never use halogen lamps without installed protective glass. Replace any damaged protective glass.

Caution!

Only connect the uplight using 3x1.5mm² cable of length 1 m.

Only use high-voltage GU10. Technical data: **max. 50 W** / 230 V / GU10 base.

Safety class 1

Protection rating IP67



The uplight is suitable for mounting in normally flammable surfaces such as wood and particle board materials which are more than 2 mm thick.



Compliant with the applicable European CE directives.




Installation

Risk of electric shock!

Switch off voltage prior to installation. Ensure that voltage cannot be accidentally switched on again.

Risk of injury!

The spring clips could crush body parts.

1. Make a cut-out in the mounting surface (see drawing for diameter). The cut-out must be deep enough for a gravel layer for water drainage (10 cm) to fit under the plastic mounting box. The plastic mounting box must be flush with the edge of the cut-out. 
2. Undo the screws of the trim using an Allen key and remove trim (see fig. 1).
3. Remove the protective glass.
4. Undo the screws of the plastic mounting box and remove the uplight.
5. Insert the plastic mounting box into the cut-out and secure it.
6. Remove the sealing ring and lampholder from the uplight (see fig. 2).
7. Loosen the cable gland at the bottom of the light housing and run the cable through it.
8. Connect the cable ends with a terminal block (see sticker for connection).
9. Completely tighten the cable gland. If you do not need to run wires through the gland, seal it with a stopper (to be provided by customer).
10. Insert the light housing into the plastic mounting box.
11. Stick the lamp into the socket and slide it sideways into the metal ring of the lampholder.
12. Close the bajonet ring, insert the lampholder into the light housing and adjust the lamp.
13. Screw the light housing into the plastic mounting box and insert the sealing ring.
14. Attach the protective glass to the sealing ring with the pocket-milled surface facing up.

15. Attach the trim.

16. Lubricate the screws with the supplied grease and insert them.

17. Screw on the trim using the greased screws.

Replacing the lamp or protective glass

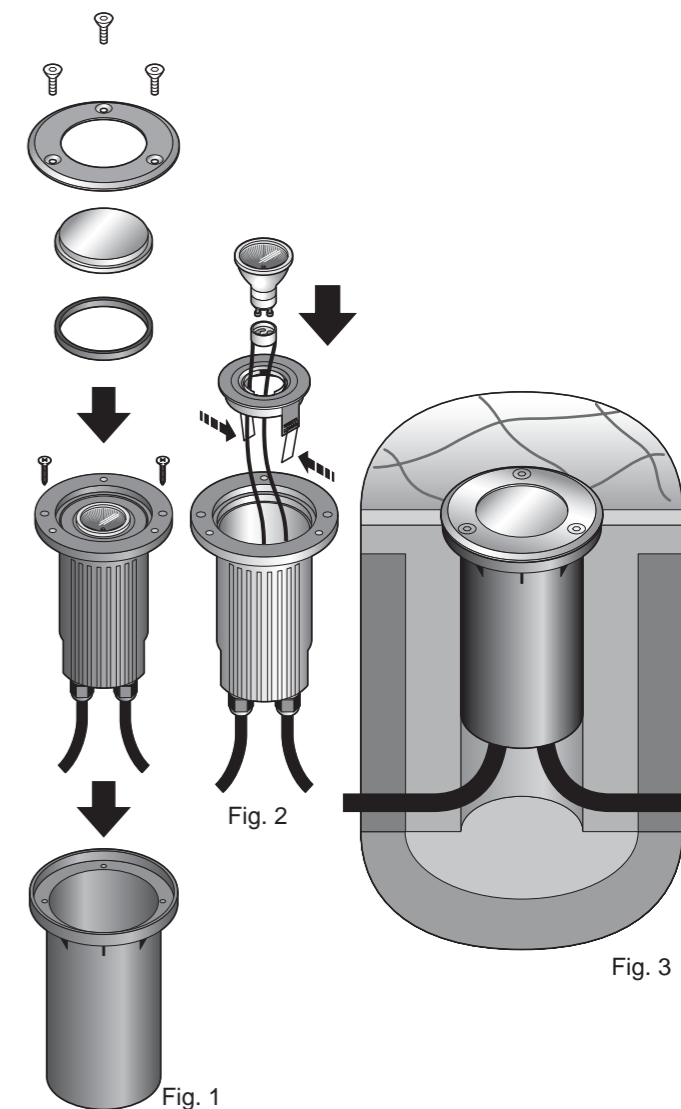
Risk of electric shock!

Always disconnect voltage before changing lamps or bottom glass.

Caution!

Never touch halogen lamps or the inner surfaces of the reflector with your bare hands. Fatty residue will considerably shorten the service life of the lamp. Use a lint-free cloth.

1. Undo the screws of the trim using an Allen key and remove trim.
2. Remove the protective glass.
4. Remove the sealing ring and lampholder from the uplight.
5. Pull the lamp sideways out of the metal ring of the lampholder.
6. Take the lamp out of the socket.
7. Stick a new lamp into the socket and slide it sideways into the metal ring of the lampholder.
8. Close the bajonet ring, insert the lampholder into the light housing and adjust the lamp.
9. Screw the light housing into the plastic mounting box and insert the sealing ring.
10. Attach the protective glass to the sealing ring with the pocket-milled surface facing up.
11. Attach and screw on the trim.



rutec Licht GmbH & Co. KG
Phone: +49 (0) 42 42 95 65-0
Fax: +49 (0) 42 42 95 65-25
Email: info@rutec.de
http://www.rutec.de



Carl-Zeiss-Str. 15
28857 Syke, Germany
PO Box 1437
28848 Syke, Germany