

Arien 59651 / 59659 / 59650 Downlight

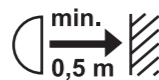
Risk of electric shock!

Be sure to have a qualified electrician complete installation. There is no warranty coverage for any downlights installed without observance of the European safety directives.

Fire hazard!

Do not touch the light, cover it with thermal insulation materials or stand on it for extended periods of time. Surface temperature: >90°C.

Ensure that minimum clearance between the light and the nearest object which the light is shining on is maintained (see drawing).



Ensure that minimum clearance is also maintained on each side (see drawing).

Risk of injury!

Never use halogen lamps without installed protective glass. Replace any damaged protective glass.

Caution!

Only connect the downlight using 3x1.5mm² cables of length 1 m.

Only use high-voltage GU10. Technical data: **max. 50 W** / 230 V / GU10 base.

Safety class 1



Protection rating IP65

The downlight is suitable for mounting in normally flammable surfaces such as wood and particle board materials which are more than 2 mm thick. Only install downlights so that they shine downwards.



59650 only: stainless steel trim is suitable for use in sea air.

Compliant with the applicable European CE directives.



Installation

Risk of electric shock!

Switch off voltage prior to installation. Ensure that voltage cannot be accidentally switched on again.

1. Cut out an aperture at the installation location (see drawing for diameter).



2. Undo the screws of the trim and remove trim (fig. 1).

3. Connect the mains supply to the cable via a terminal block (not included).

4. Insert the lamp into the socket.

5. Insert the downlight into the cut-out.

6. Tighten the screws of the plastic screw mounts on the light housing to clamp the holding arms (fig. 2).

7. Tighten the screws in the plastic screw mounts completely until the holding arms are touching the mounting surface.

8. Attach the trim. Make sure the trim does not pinch the safety wire.

9. Insert and screw in screws.

Replacing the lamp

Risk of electric shock!

Always disconnect voltage before changing lamps or bottom glass.

Caution!

Never touch halogen lamps or the inner surfaces of the reflector with your bare hands. Fatty residue will considerably shorten the service life of the lamp. Use a lint-free cloth.

1. Undo the screws of the trim and remove trim (fig. 1).

2. Pull the lamp out of the socket.

3. Insert a new lamp into the socket.

4. Attach the trim. Make sure the trim does not pinch the safety wire.

5. Insert and screw in screws.

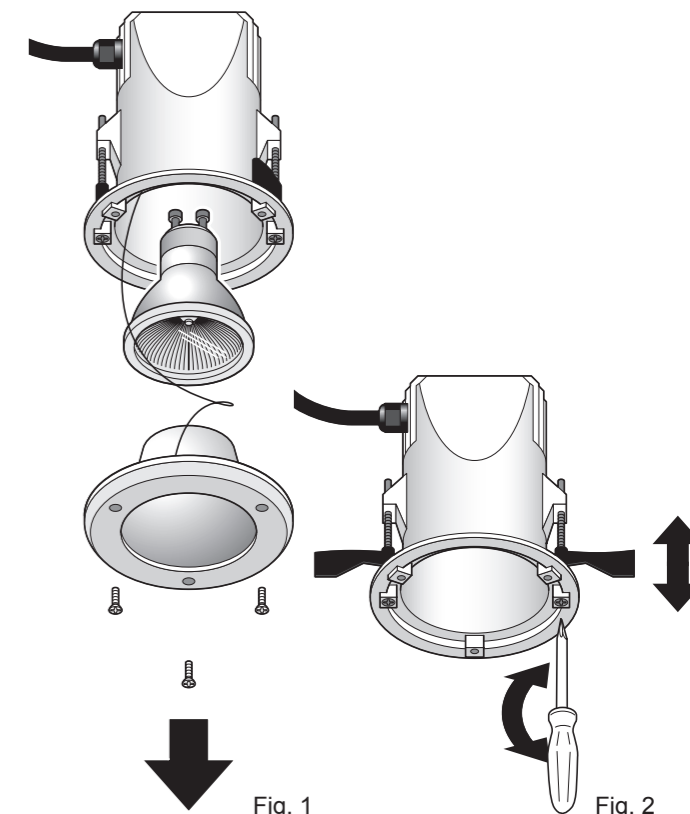


Fig. 1

Fig. 2

rutec Licht GmbH & Co. KG

Phone: +49 (0) 42 42 95 65-0

Fax: +49 (0) 42 42 95 65-25

Email: info@rutec.de

http://www.rutec.de



Carl-Zeiss-Str. 15
28857 Syke, Germany

PO Box 1437
28848 Syke, Germany