

(ENG) Flush Fitting Wall Light for all Switch Ranges



Danger of electrocution!

Be sure to have a professional electrician complete installation. There is no warranty coverage for any lights installed without observing European safety directives.



Fire hazard!

Do not cover light with heat-insulating materials.



Caution!

Use shortest way to run wires to the terminals.

Protection rating IP 20 –

prevents access to live parts by finger. Protected against entering of solid matter of more than 12.5 mm.



No weatherproof protection.

Protection class 1 –

Light with earth lead.



Suppression of radio interference

acc. to DIN EN 55015.

CE compliant with the applicable

European directives.



Technical data: see label.

Installation



Danger of electrocution!

Switch off voltage prior to installation. Ensure that voltage cannot be accidentally switched on again.

1. If not already installed, install circular connection box (not supplied with light).

Note

- For a deep circuit connection box install all four distance sleeves (Fig. 1).
- For a standard depth circuit connection box install the two longer distance sleeves (Fig. 2).

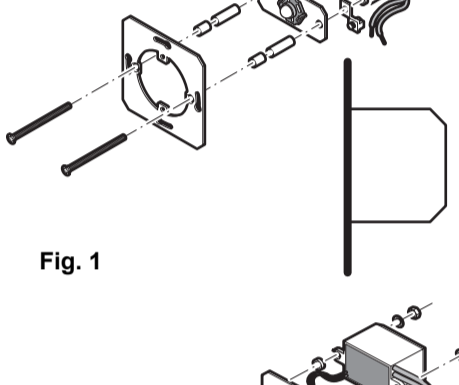


Fig. 1

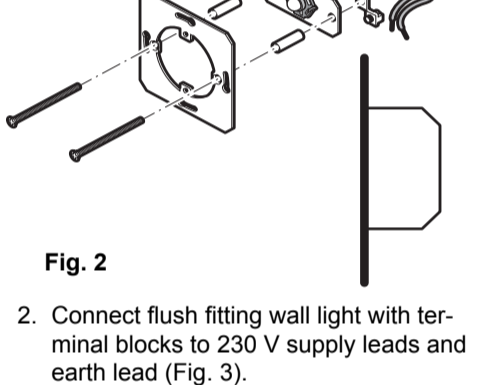


Fig. 2

2. Connect flush fitting wall light with terminal blocks to 230 V supply leads and earth lead (Fig. 3).

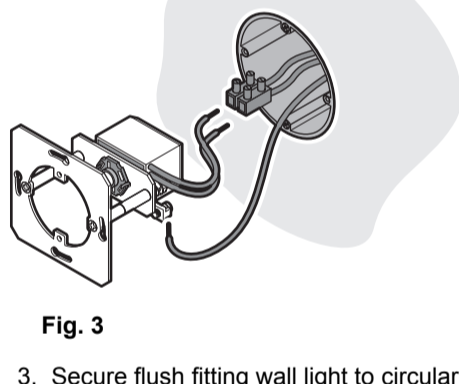


Fig. 3

3. Secure flush fitting wall light to circular connection box (Fig. 4).

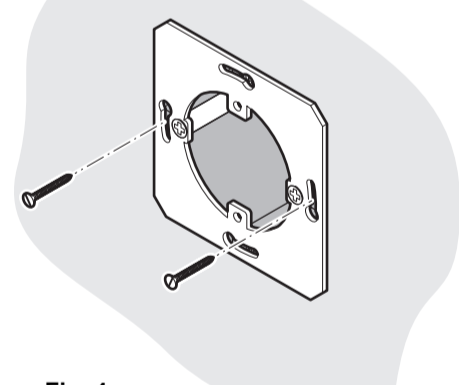


Fig. 4

4. Insert screen, inner frame (not supplied with light) and masking frame (not supplied with light) and secure with screws (Fig. 5 and 6).

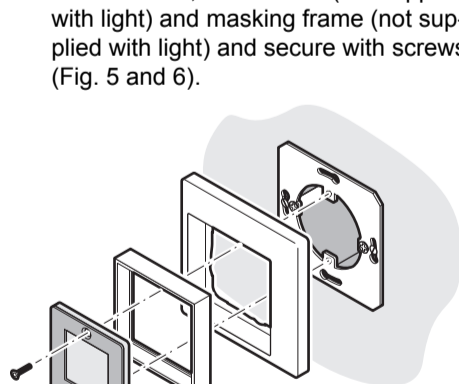


Fig. 5

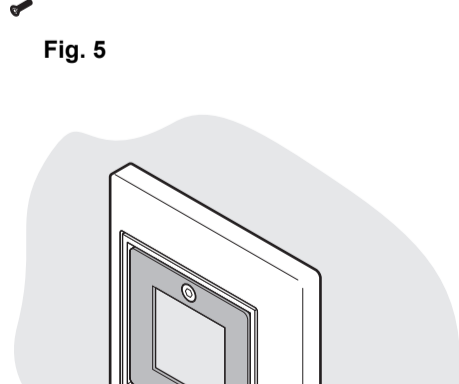


Fig. 6

(RU-07-01 / Edited by: ZINDEL AG, www.zindel.de)

rutec Licht GmbH & Co. KG

Carl-Zeiss-Str. 15

28857 Syke, Germany

PO Box 1437

28848 Syke, Germany

Phone: +49 (0) 42 42 95 65-0

E-mail: info@rutec.de

Fax: +49 (0) 42 42 95 65-25

<http://www.rutec.de>

